

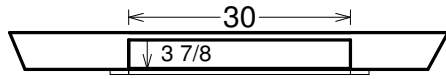


Modular & Custom Cabinets

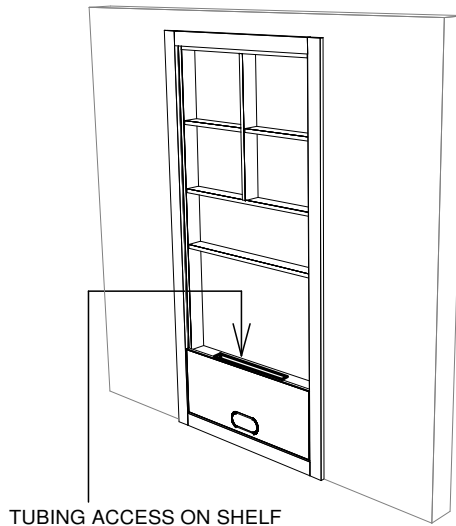
PHONE: (905) 832-8311

FAX: (905) 832-0732

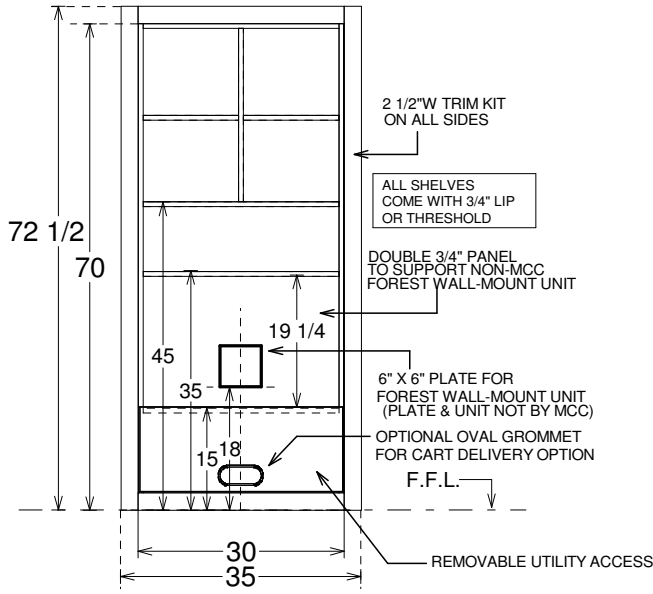
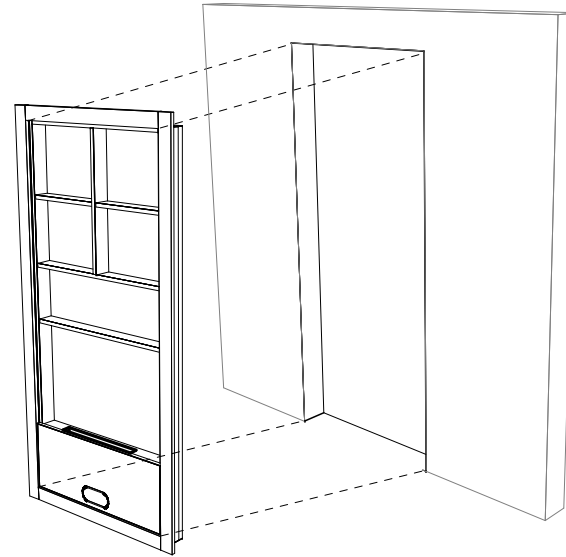
MCEH300 HYGIENE WALL INSERT CUSTOM E CABINETRY



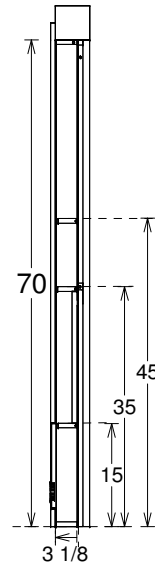
PLAN VIEW



TUBING ACCESS ON SHELF

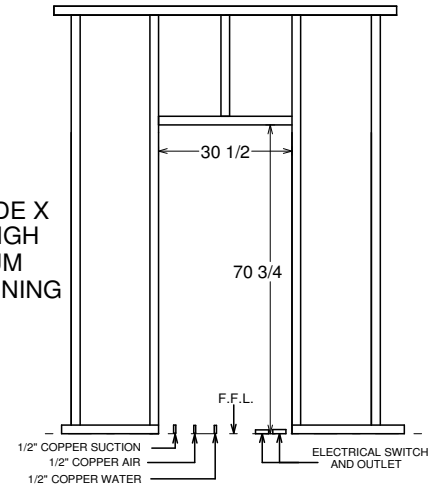


FRONT VIEW



SIDE VIEW

30 1/2"WIDE X
70 3/4"HIGH
MINIMUM
WALL OPENING



WALL OPENING LAY-OUT

DEALER:
LOC:
DOCTOR:
P.O.#
W/O#
START DATE:
ORDER DATE:
APPROX. SHIP:
SET UPS: 1
TOP COLOUR: -
CAB COLOUR: -
ACCENT COLOUR:
PVC EDGE:

SKETCH #: UQ16835-Q01

OPTIONS INCLUDED:

FROM ORIGINAL FILE UQ32142-Q01

REVISIONS	REVISIONS
09 MAR 2018	-
03 AUG 2018	-
-	-

I CONFIRM THIS ORDER TO BE CORRECT:

DEALER AUTHORIZED SIGNATORY / DATE

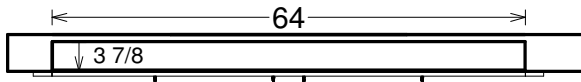
NOTE: PLUMBING & ELECTRICAL SPECS WILL BE PROVIDED AT THE TIME OF ORDER



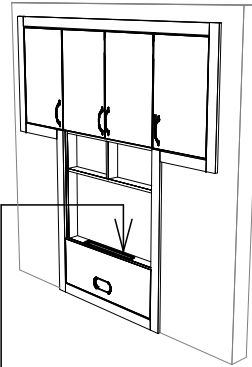
Modular & Custom Cabinets

PHONE: (905) 832-8311
 FAX: (905) 832-0732

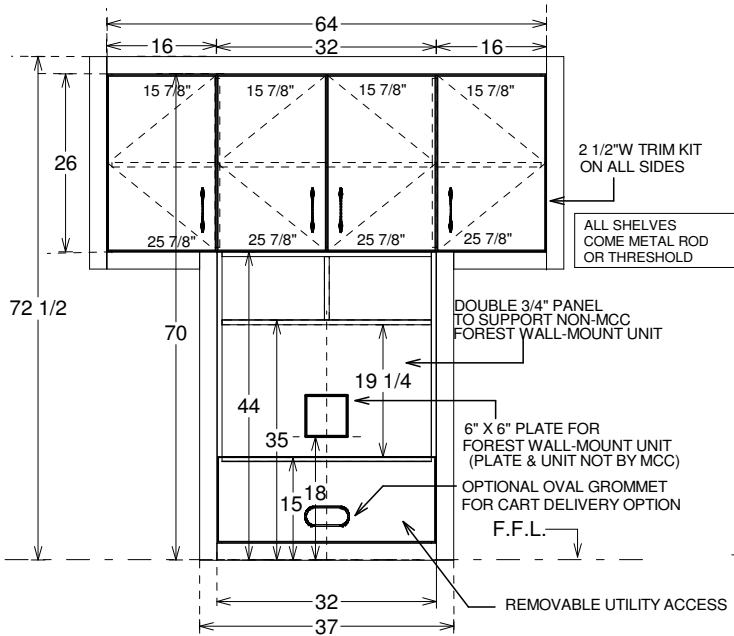
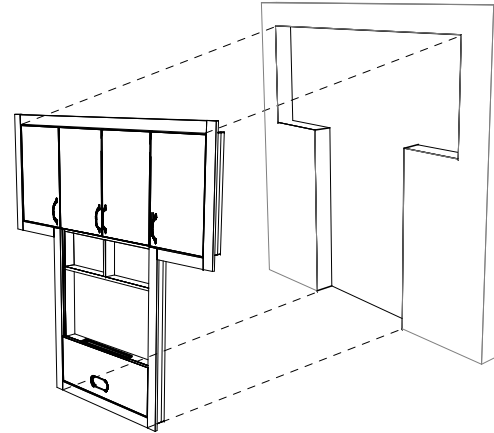
MCEH364 HYGIENE WALL INSERT CUSTOM E CABINETRY



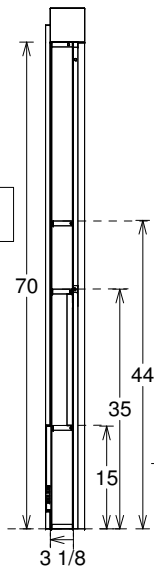
PLAN VIEW



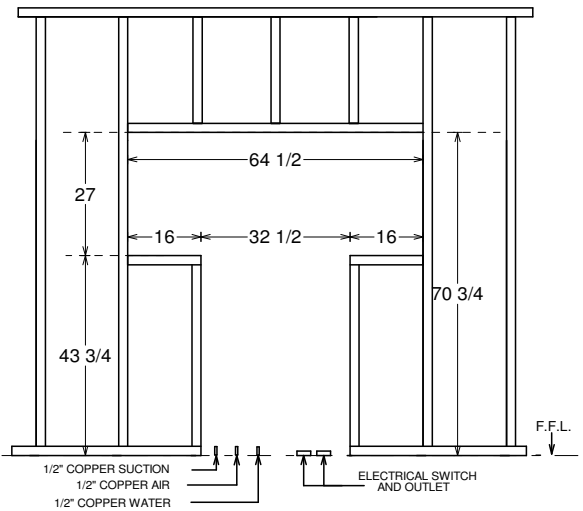
TUBING ACCESS ON SHELF



FRONT VIEW



SIDE SECTION



WALL OPENING LAY-OUT

DEALER:
LOC:
DOCTOR:
P.O.#
W/O#
START DATE:
ORDER DATE:
APPROX. SHIP:
SET UPS: 1
TOP COLOUR: -
CAB COLOUR: -
ACCENT COLOUR:
HANDLES: 5" BRUSHED NICKEL
PVC EDGE:
HARDWARE: SOFT CLOSE DOORS

SKETCH #: UQ16835-Q02

OPTIONS INCLUDED:

FROM ORIGINAL FILE UQ32142-Q02

REVISIONS	REVISIONS
09 MAR 2018	-
03 AUG 2018	-
-	-

I CONFIRM THIS ORDER TO BE CORRECT:

 DEALER AUTHORIZED SIGNATORY / DATE

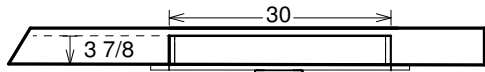
NOTE: PLUMBING & ELECTRICAL SPECS WILL BE PROVIDED AT THE TIME OF ORDER



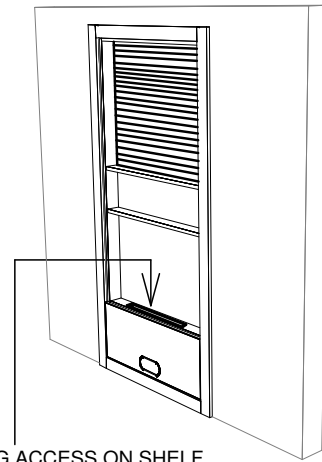
Modular & Custom Cabinets

PHONE: (905) 832-8311
 FAX: (905) 832-0732

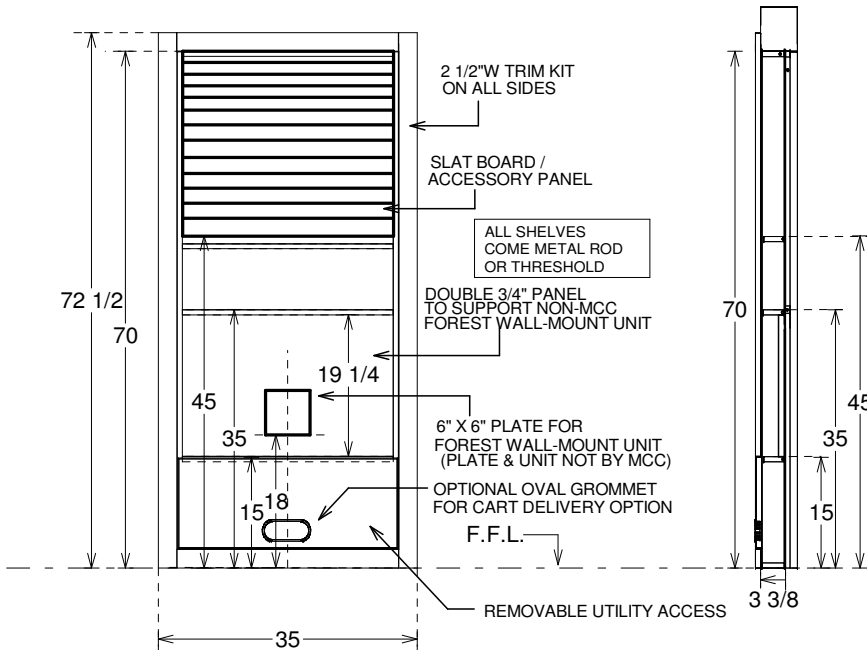
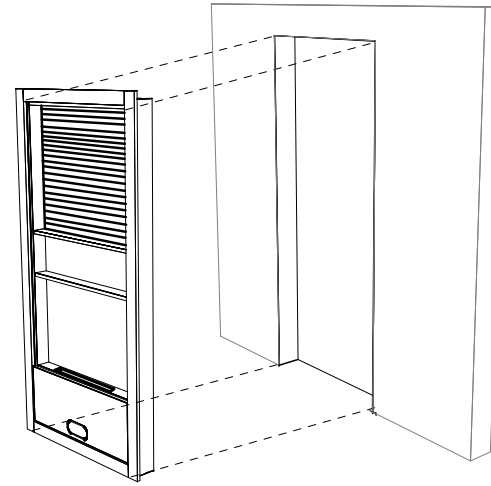
MCEH373 HYGIENE WALL INSERT CUSTOM E CABINETRY



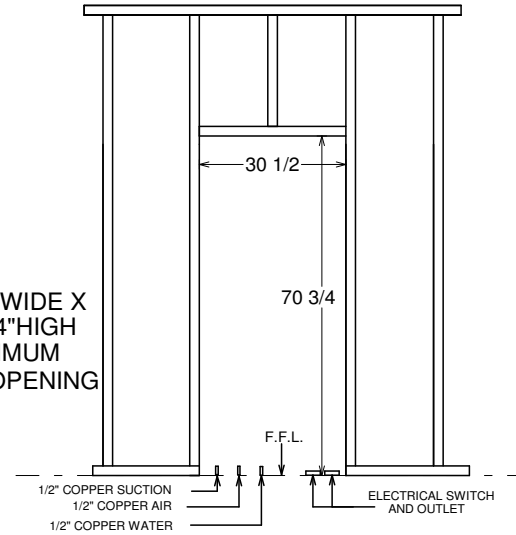
PLAN VIEW



TUBING ACCESS ON SHELF



30 1/2" WIDE X
 70 3/4" HIGH
 MINIMUM
 WALL OPENING



DEALER:
LOC:
DOCTOR:
P.O.#
W/O#
START DATE:
ORDER DATE:
APPROX. SHIP:
SET UPS: 1
TOP COLOUR: -
CAB COLOUR: -
ACCENT COLOUR:

PVC EDGE:

SKETCH #: UQ16835-Q03

OPTIONS INCLUDED:

FROM ORIGINAL FILE UQ32142-Q03	
REVISIONS	REVISIONS
09 MAR 2018	-
-	-
-	-

I CONFIRM THIS ORDER TO BE CORRECT:

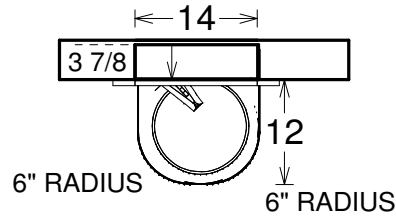
 DEALER AUTHORIZED SIGNATORY / DATE

NOTE: PLUMBING & ELECTRICAL SPECS WILL BE PROVIDED AT THE TIME OF ORDER

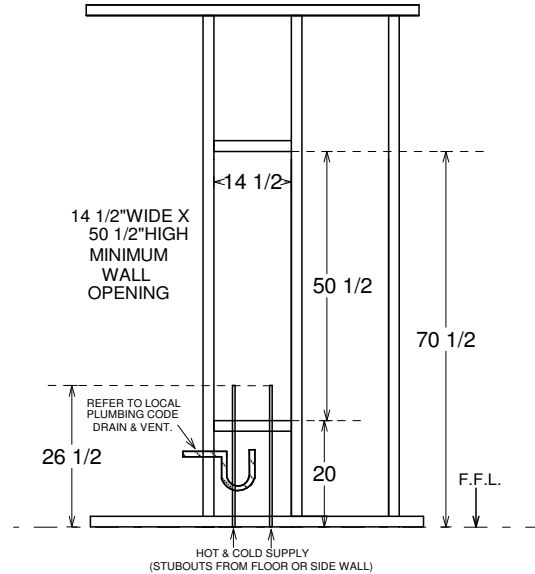


PHONE: (905) 832-8311
FAX: (905) 832-0732

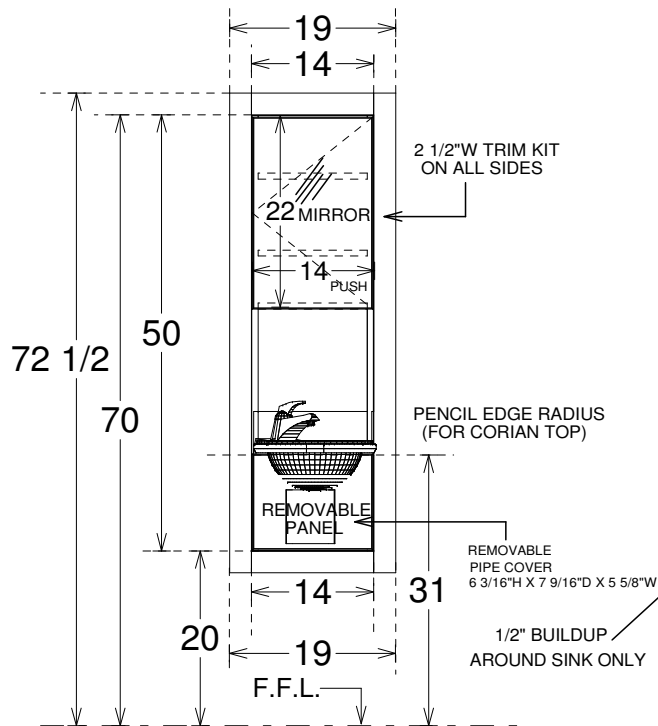
MCES140SIDE SINK SET-UP CUSTOM E CABINETRY



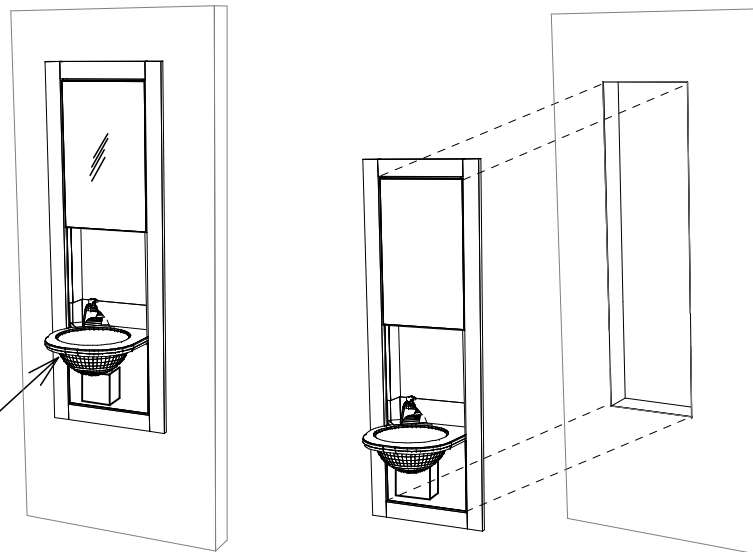
PLAN VIEW



WALL OPENING LAY-OUT



ELEVATION



DEALER:
LOC:
DOCTOR:
P.O.#
W/O#
START DATE:
ORDER DATE:
APPROX. SHIP:
SET UPS: 1
TOP COLOUR: -
CAB COLOUR: -
ACCENT COLOUR:
PVC EDGE:

SKETCH #: UQ16835-Q04

- OPTIONS INCLUDED:**
- UNDERMOUNTED
 - MP-1R ROUND ST.ST. SINK 12 1/4 DIA X 5 3/4H OD
 - MP2K OPERATORY FAUCET
 - MPTNJA15 DRAIN ASSEMBLY
 - SPECIAL ORDER MIRROR

FROM ORIGINAL FILE UQ32142-Q04

REVISIONS	REVISIONS
09 MAR 2018	-
-	-
-	-

I CONFIRM THIS ORDER TO BE CORRECT:

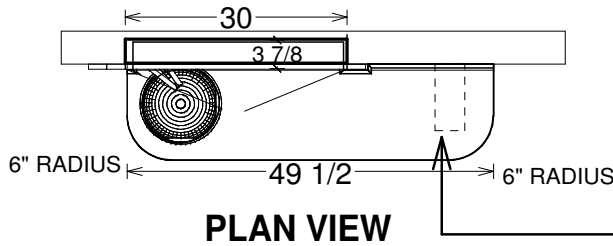
DEALER AUTHORIZED SIGNATORY / DATE

NOTE: PLUMBING & ELECTRICAL SPECS WILL BE PROVIDED AT THE TIME OF ORDER

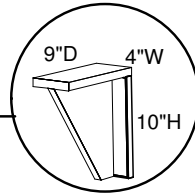


PHONE: (905) 832-8311
FAX: (905) 832-0732

MCES349 SIDE SINK SET-UP CUSTOM E CABINETRY

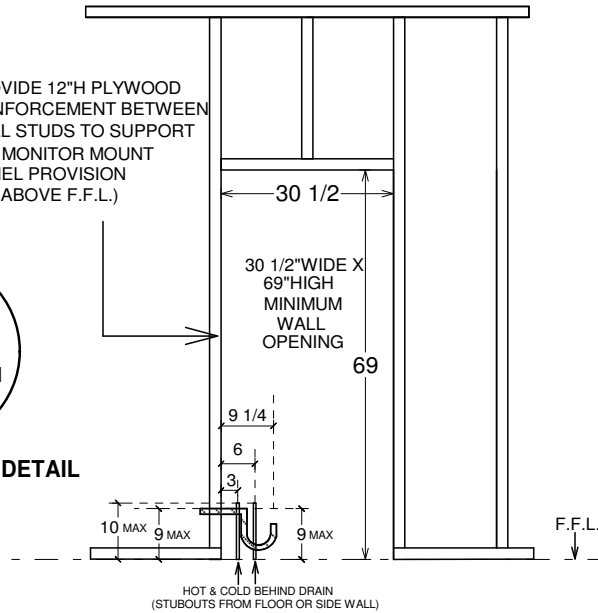


PLAN VIEW



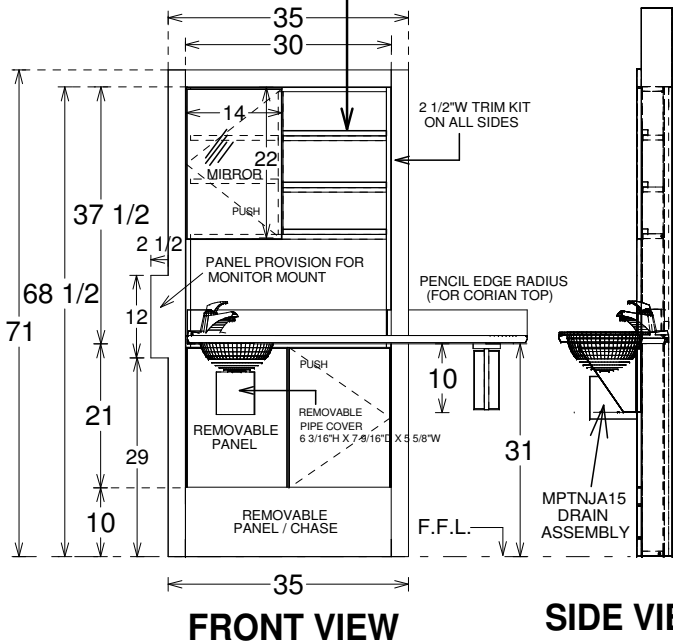
CLEAT SPOT DETAIL

PROVIDE 12"H PLYWOOD REINFORCEMENT BETWEEN WALL STUDS TO SUPPORT THE MONITOR MOUNT PANEL PROVISION (29" ABOVE F.F.L.)



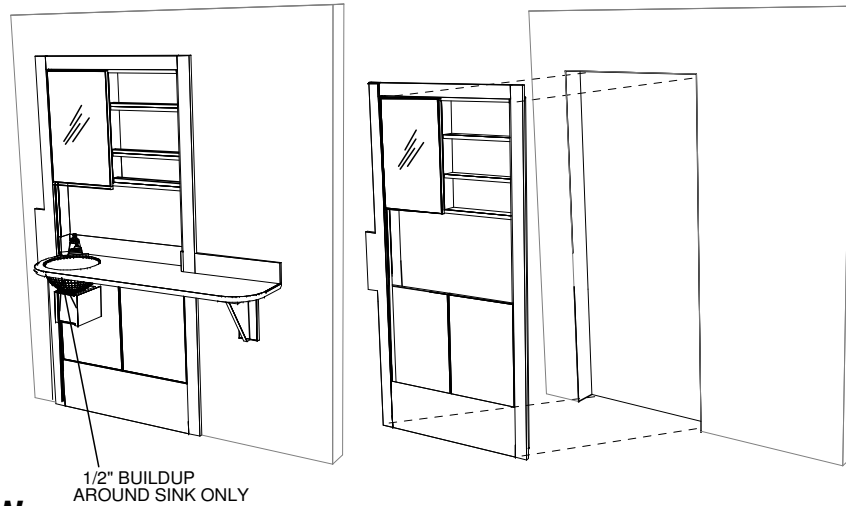
WALL OPENING LAY-OUT

ALL SHELVES COME WITH METAL ROD LIP OR THRESHOLD



FRONT VIEW

SIDE VIEW



1/2" BUILDUP AROUND SINK ONLY

DEALER:
LOC:
DOCTOR:
P.O.#
W/O#
START DATE:
ORDER DATE:
APPROX. SHIP:
SET UPS: 1
TOP COLOUR: -
CAB COLOUR: -
ACCENT COLOUR:
PVC EDGE:
SKETCH #: UQ16835-Q05

OPTIONS INCLUDED:
UNDERMOUNTED
MP-1R ROUND ST.ST. SINK 12 1/4 DIA X 5 3/4H OD
MP2K OPERATORY FAUCET
MPTNJA15 DRAIN ASSEMBLY
SPECIAL ORDER MIRROR

FROM ORIGINAL FILE UQ32142-Q05

I CONFIRM THIS ORDER TO BE CORRECT:

DEALER AUTHORIZED SIGNATORY / DATE

NOTE: PLUMBING & ELECTRICAL SPECS WILL BE PROVIDED AT THE TIME OF ORDER

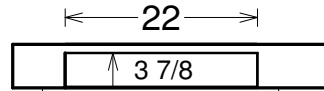
REVISIONS	REVISIONS
09 MAR 2018	-
-	-
-	-



Modular & Custom Cabinets

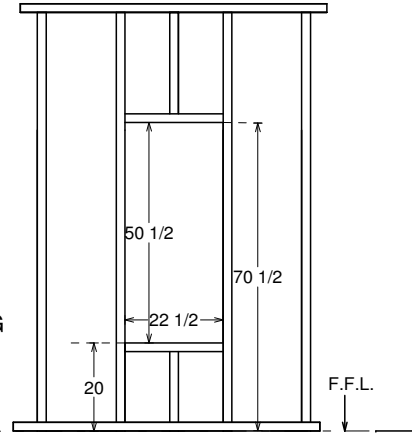
PHONE: (905) 832-8311
 FAX: (905) 832-0732

MCEW520 22" WALL INSERT CUSTOM E CABINETRY

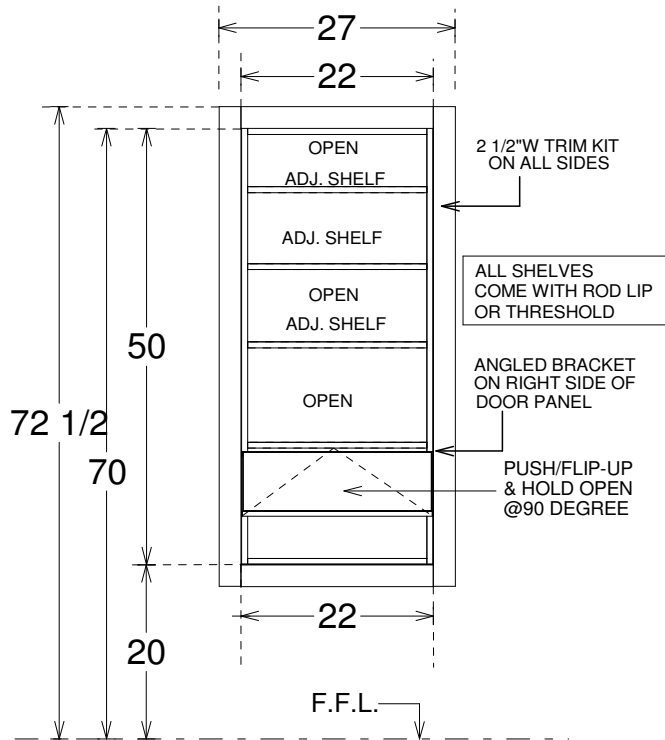


PLAN VIEW

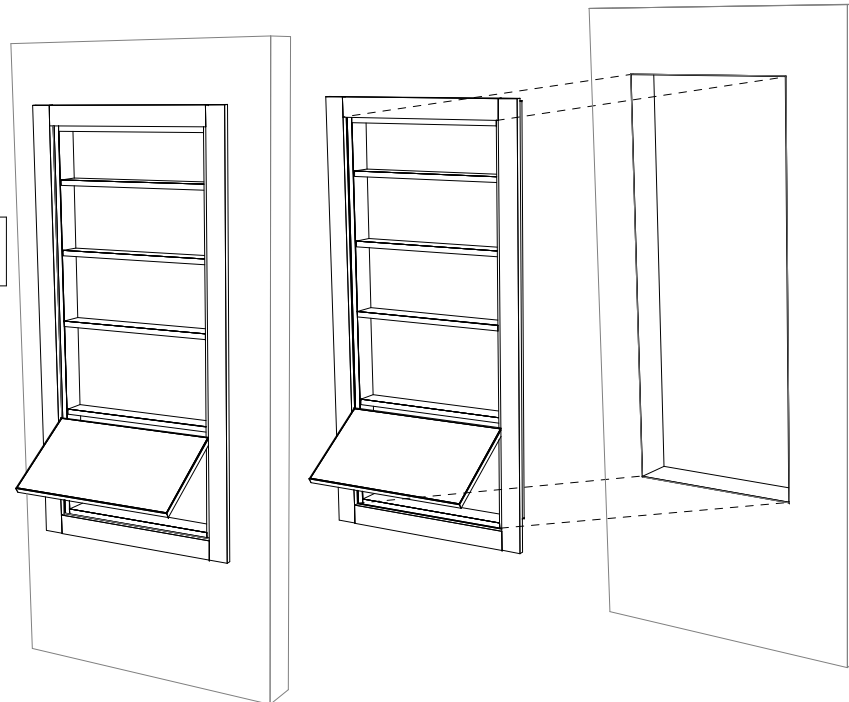
22 1/2" WIDE X
 50 1/2" HIGH
 MINIMUM
 WALL OPENING



WALL OPENING LAY-OUT



ELEVATION



DEALER:

LOC:

DOCTOR:

P.O.#

W/O#

START DATE:

ORDER DATE:

APPROX. SHIP:

SET UPS:1

TOP COLOUR:
-

CAB COLOUR:
-

ACCENT COLOUR:

PVC EDGE:

SKETCH #: UQ16835-Q06

OPTIONS INCLUDED:

FROM ORIGINAL FILE UQ32142-Q04

REVISIONS	REVISIONS
09 MAR 2018	-
-	-
-	-

I CONFIRM THIS ORDER TO BE CORRECT:

 DEALER AUTHORIZED SIGNATORY / DATE

NOTE: PLUMBING & ELECTRICAL SPECS WILL BE PROVIDED AT THE TIME OF ORDER



Modular & Custom Cabinets

PHONE: (905) 832-8311
FAX: (905) 832-0732

MCEM800 CUSTOM REAR CUSTOM E CABINETRY

NOTE: WALL HUNG CABINET
INSTALLATIONS REQUIRE
PLYWOOD REINFORCEMENT
BETWEEN NEW OR EXISTING
WALL STUDS

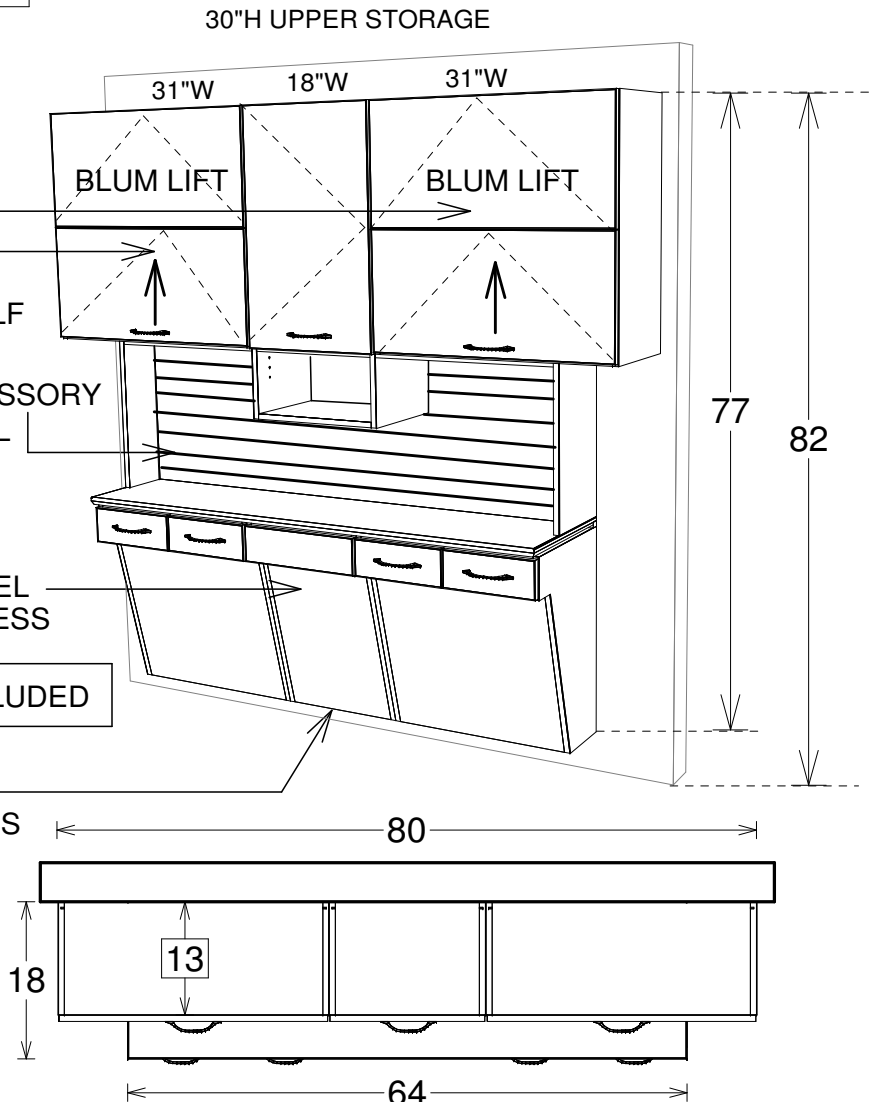
PULLDOWN REV-A-SHELF

ACCESSORY
PANEL

REMOVABLE PANEL
FOR UTILITY ACCESS

DELIVERY UNIT NOT INCLUDED

OPEN BELOW
FOR UMBILICAL ACCESS



PLAN VIEW

DEALER:
LOC:
DOCTOR:
P.O.#
W/O#
START DATE:
ORDER DATE:
APPROX. SHIP:
SET UPS: 1
TOP COLOUR: -
CAB COLOUR: -
ACCENT COLOUR:
HANDLES: 5" BRUSHED NICKEL
PVC EDGE:
HARDWARE: SOFT CLOSE DOORS FULL EXTENSION SOFT CLOSE DRAWERS
SKETCH #: UQ16835-Q07

OPTIONS INCLUDED:
MB-2 O.R. TRAY SHELVES
MB-4 O.R. TUB SHELVES
ACCESSORY PANEL
24"W PULLDOWN REV-A-SHELF
5-PD-24CRN

FROM ORIGINAL FILE UQ32142-Q04

I CONFIRM THIS ORDER
TO BE CORRECT:

DEALER AUTHORIZED SIGNATORY / DATE

NOTE: PLUMBING & ELECTRICAL SPECS
WILL BE PROVIDED AT THE TIME OF ORDER

REVISIONS	REVISIONS
09 MAR 2018	-
-	-
-	-

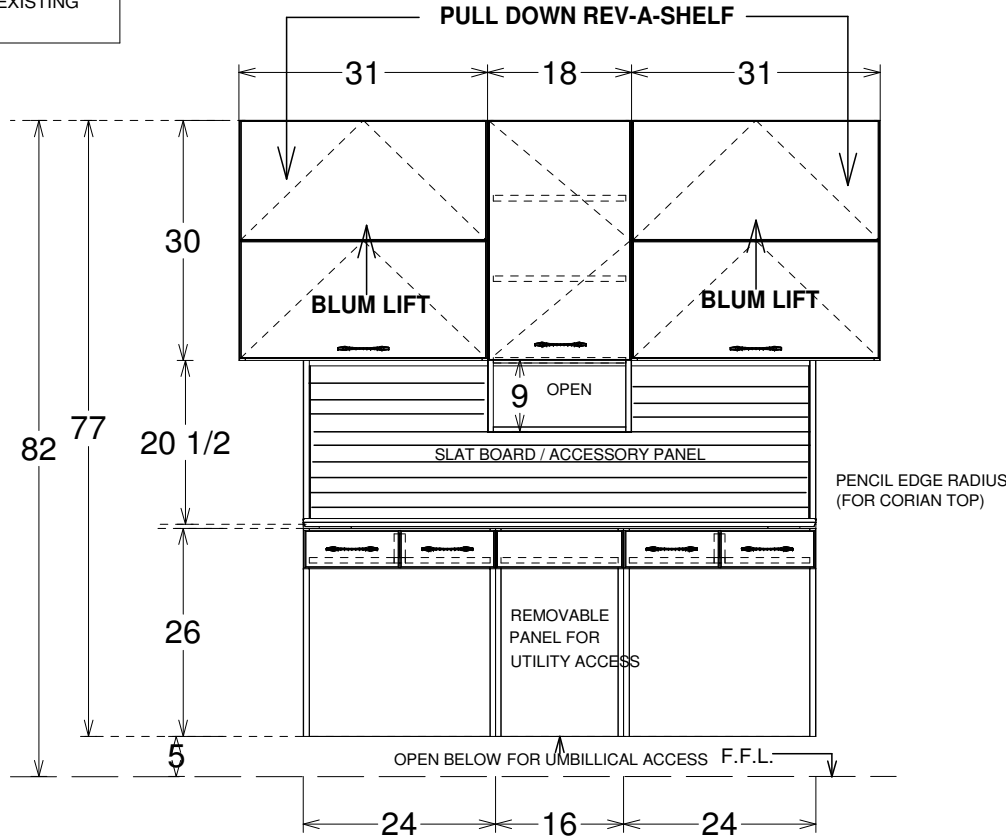


Modular & Custom Cabinets

PHONE: (905) 832-8311
FAX: (905) 832-0732

MCEM800 CUSTOM REAR CUSTOM E CABINETRY

NOTE: WALL HUNG CABINET
INSTALLATIONS REQUIRE
PLYWOOD REINFORCEMENT
BETWEEN NEW OR EXISTING
WALL STUDS



DELIVERY UNIT NOT INCLUDED

ELEVATION

I CONFIRM THIS ORDER
TO BE CORRECT:

DEALER AUTHORIZED SIGNATORY / DATE

NOTE: PLUMBING & ELECTRICAL SPECS
WILL BE PROVIDED AT THE TIME OF ORDER

DEALER:	
LOC:	
DOCTOR:	
P.O.#	
W/O#	
START DATE:	
ORDER DATE:	
APPROX. SHIP:	
SET UPS: 1	
TOP COLOUR: -	
CAB COLOUR: -	
ACCENT COLOUR:	
HANDLES: 5" BRUSHED NICKEL	
PVC EDGE:	
HARDWARE: SOFT CLOSE DOORS FULL EXTENSION SOFT CLOSE DRAWERS	
SKETCH #: UQ16835-Q07 ELEV	
OPTIONS INCLUDED:	
MB-2 O.R. TRAY SHELVES	
MB-4 O.R. TUB SHELVES	
ACCESSORY PANEL	
24"W PULLDOWN RE-A-SHELF	
5-PD-24CRN	
FROM ORIGINAL FILE UQ32142-Q04	
REVISIONS	REVISIONS
09 MAR 2018	-
-	-
-	-

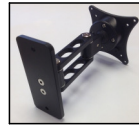
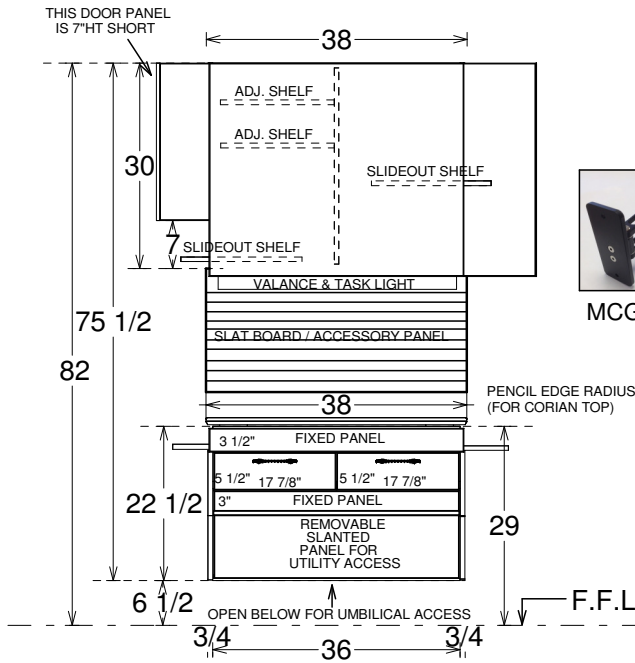
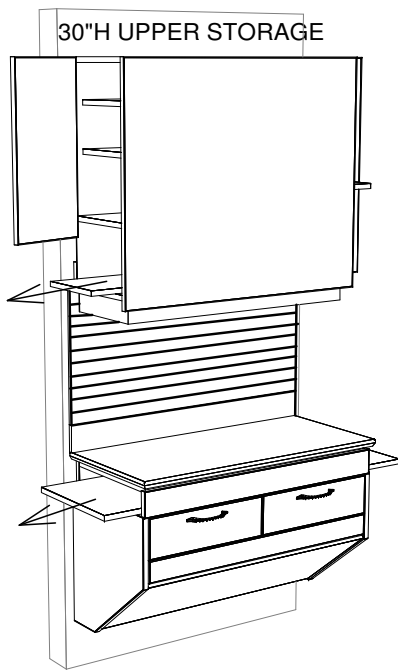


Modular & Custom Cabinets

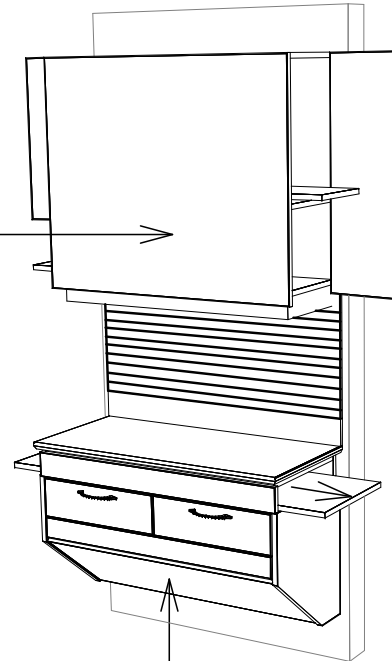
PHONE: (905) 832-8311
 FAX: (905) 832-0732

MCER380 CUSTOM REAR CUSTOM E CABINETRY

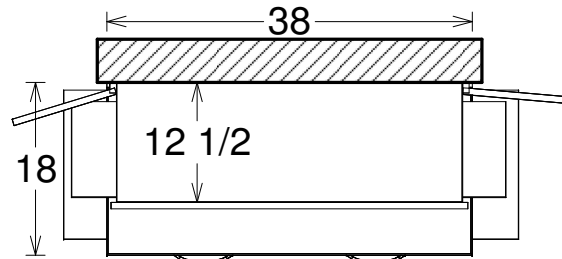
NOTE: WALL HUNG CABINET
 INSTALLATIONS REQUIRE
 PLYWOOD REINFORCEMENT
 BETWEEN NEW OR EXISTING
 WALL STUDS



MCGX270



REMOVABLE PANEL FOR UTILITY ACCESS



PLAN VIEW

DEALER:
LOC:
DOCTOR:
P.O.#
W/O#
START DATE:
ORDER DATE:
APPROX. SHIP:
SET UPS: 1
TOP COLOUR: -
CAB COLOUR: -
ACCENT COLOUR:
HANDLES: 5" BRUSHED NICKEL
PVC EDGE:
HARDWARE: SOFT CLOSE DOORS FULL EXTENSION SOFT CLOSE DRAWERS
SKETCH #: UQ16835-Q08

OPTIONS INCLUDED:
 MCGX270 PIVOTING MONITOR MOUNT
 MP24LH WHITE 24" LOOX LED LIGHT ONLY
 WITH TOGGLE SWITCH

FROM ORIGINAL FILE UQ32142-Q08

REVISIONS	REVISIONS
09 MAR 2018	-
-	-
-	-

I CONFIRM THIS ORDER TO BE CORRECT:

 DEALER AUTHORIZED SIGNATORY / DATE

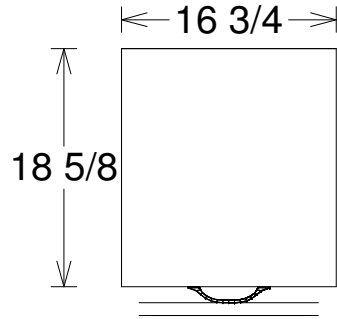
NOTE: PLUMBING & ELECTRICAL SPECS
 WILL BE PROVIDED AT THE TIME OF ORDER



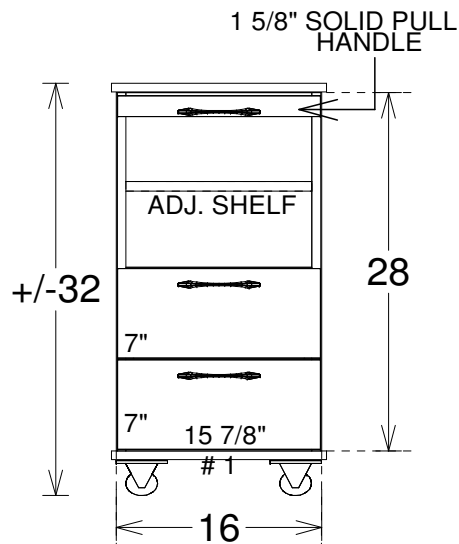
Modular & Custom Cabinets

PHONE: (905) 832-8311
 FAX: (905) 832-0732

MCEM200 CUSTOM CART CUSTOM E CABINETRY

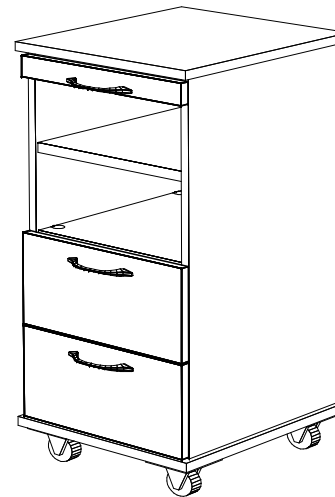


PLAN VIEW



ELEVATION

NO GROMMET



DEALER:
LOC:
DOCTOR:
P.O.#
W/O#
START DATE:
ORDER DATE:
APPROX. SHIP:
SET UPS: 1
TOP COLOUR: -
CAB COLOUR: -
ACCENT COLOUR:
HANDLES: 5" BRUSHED NICKEL
PVC EDGE:
HARDWARE: OLD STYLE SLIDES
SKETCH #: UQ16835-Q09

OPTIONS INCLUDED:

FROM ORIGINAL FILE UQ32142-Q09

REVISIONS	REVISIONS
09 MAR 2018	-
-	-
-	-

I CONFIRM THIS ORDER TO BE CORRECT:

 DEALER AUTHORIZED SIGNATORY / DATE

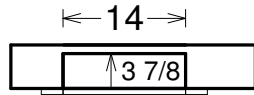
NOTE: PLUMBING & ELECTRICAL SPECS WILL BE PROVIDED AT THE TIME OF ORDER



Modular & Custom Cabinets

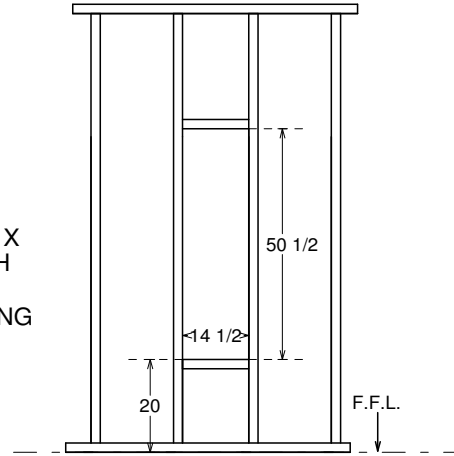
PHONE: (905) 832-8311
 FAX: (905) 832-0732

MCEW510 14" WALL INSERT CUSTOM E CABINETRY

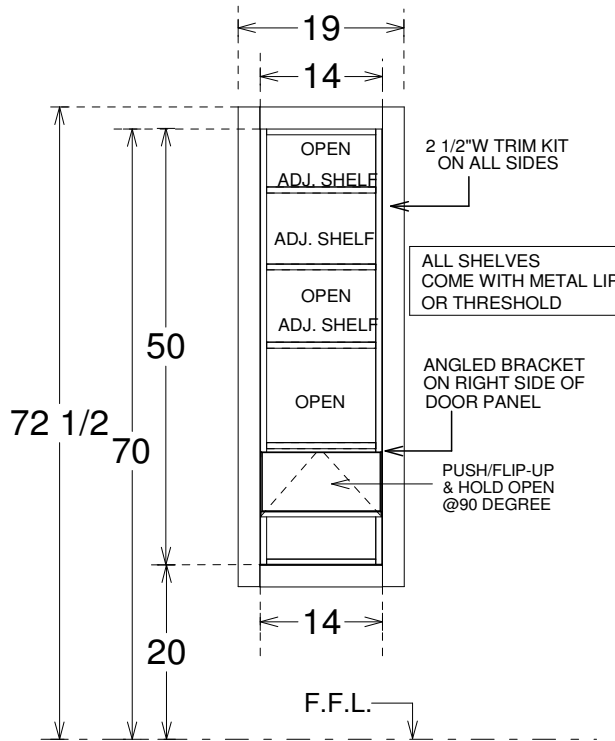


PLAN VIEW

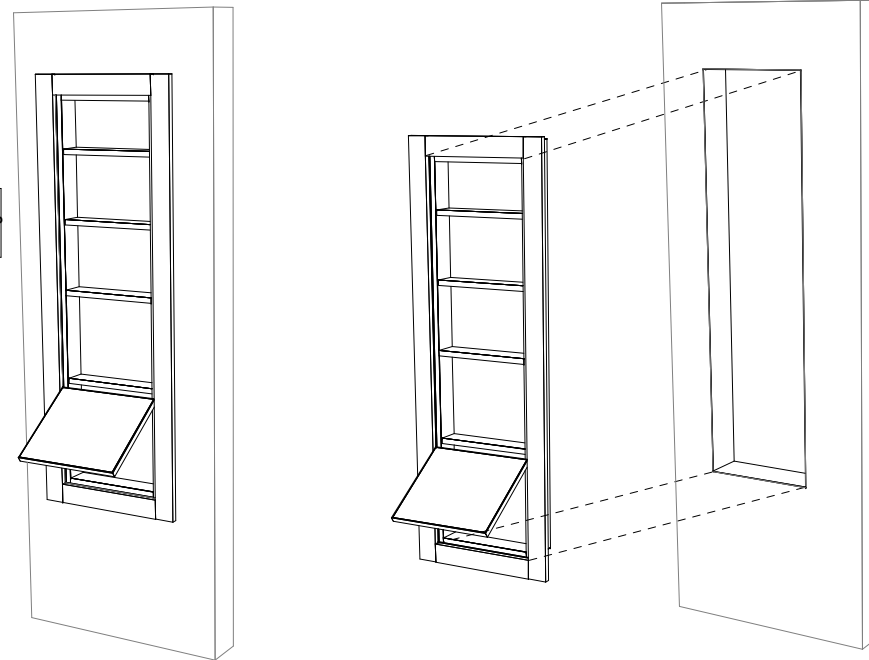
14 1/2" WIDE X
 50 1/2" HIGH
 MINIMUM
 WALL OPENING



WALL OPENING LAY-OUT



ELEVATION



DEALER:

LOC:

DOCTOR:

P.O.#

W/O#

START DATE:

ORDER DATE:

APPROX. SHIP:

SET UPS:1

TOP COLOUR:

CAB COLOUR:

ACCENT COLOUR:

PVC EDGE:

SKETCH #: UQ16835-Q10

OPTIONS INCLUDED:

FROM ORIGINAL FILE UQ32142-Q10

REVISIONS	REVISIONS
16 AUG 2018	-
-	-
-	-

I CONFIRM THIS ORDER TO BE CORRECT:

 DEALER AUTHORIZED SIGNATORY / DATE

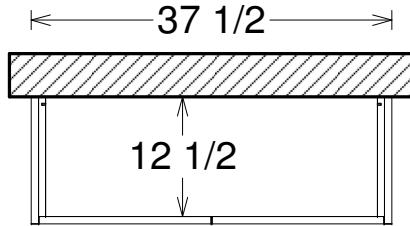
NOTE: PLUMBING & ELECTRICAL SPECS WILL BE PROVIDED AT THE TIME OF ORDER



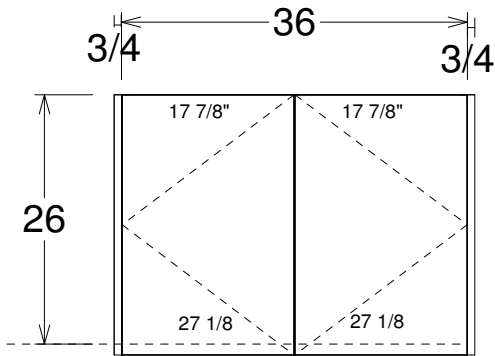
PHONE: (905) 832-8311
 FAX: (905) 832-0732

LU93626 UPPER STORAGE CUSTOM E CABINETRY

NOTE: WALL HUNG CABINET
 INSTALLATIONS REQUIRE
 PLYWOOD REINFORCEMENT
 BETWEEN NEW OR EXISTING
 WALL STUDS

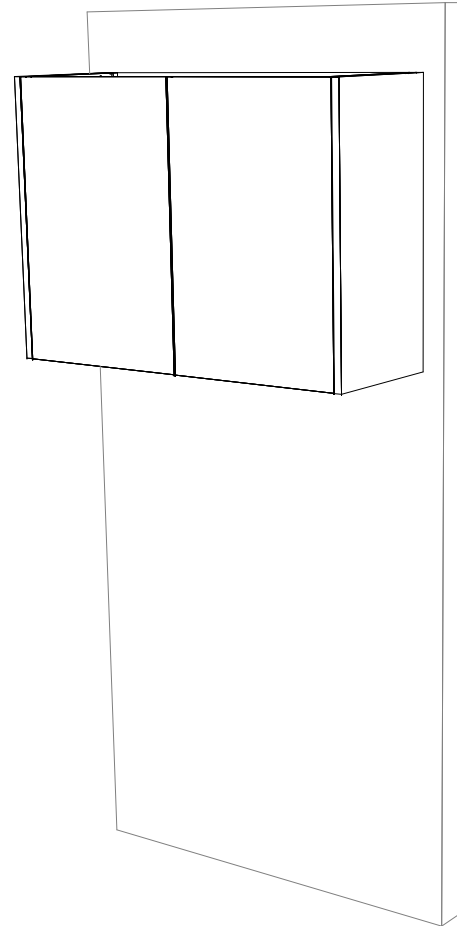


PLAN VIEW



NO PARTITION.
 NO SHELF.
 OPEN SPACE PROVISION
 FOR REV-A-SHELF 5PD-36CRN
 REV-A-SHELF 5PD-36CRN NOT INCLUDED

ELEVATION



DEALER:
LOC:
DOCTOR:
P.O.#
W/O#
START DATE:
ORDER DATE:
APPROX. SHIP:
SET UPS: 1
CAB COLOUR: -
PVC EDGE:
HARDWARE: SOFT CLOSE DOORS
SKETCH #: UQ16835-Q11

FROM ORIGINAL FILE UQ32142-Q11

I CONFIRM THIS ORDER
 TO BE CORRECT: _____
 DEALER AUTHORIZED SIGNATORY / DATE

NOTE: PLUMBING & ELECTRICAL SPECS
 WILL BE PROVIDED AT THE TIME OF ORDER
 PLUMBING & ELECTRICAL HOOKUPS NOT BY MCC

REVISIONS		REVISIONS	
-	20 NOV 2018	-	-
-	-	-	-
-	-	-	-

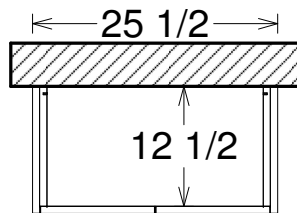


Modular & Custom Cabinets

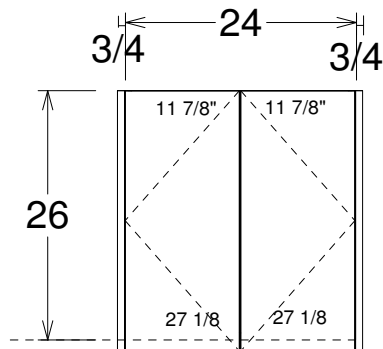
PHONE: (905) 832-8311
 FAX: (905) 832-0732

LU72426 UPPER STORAGE CUSTOM E CABINETRY

NOTE: WALL HUNG CABINET
 INSTALLATIONS REQUIRE
 PLYWOOD REINFORCEMENT
 BETWEEN NEW OR EXISTING
 WALL STUDS



PLAN VIEW

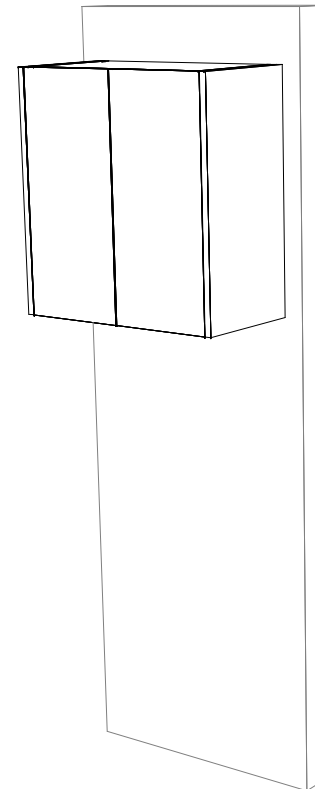


NO PARTITION.
 NO SHELF.

OPEN SPACE PROVISION
 FOR REV-A-SHELF 5PD-24CRN

REV-A-SHELF 5PD-24CRN NOT INCLUDED

ELEVATION



DEALER:
LOC:
DOCTOR:
P.O.#
W/O#
START DATE:
ORDER DATE:
APPROX. SHIP:
SET UPS: 1
CAB COLOUR: -
PVC EDGE:
HARDWARE: SOFT CLOSE DOORS
SKETCH #: UQ16835-Q12

FROM ORIGINAL FILE UQ32142-Q12

I CONFIRM THIS ORDER
 TO BE CORRECT: _____
 DEALER AUTHORIZED SIGNATORY / DATE

NOTE: PLUMBING & ELECTRICAL SPECS
 WILL BE PROVIDED AT THE TIME OF ORDER
 PLUMBING & ELECTRICAL HOOKUPS NOT BY MCC

REVISIONS		REVISIONS	
-	20 NOV 2018	-	-
-	-	-	-
-	-	-	-